



Level



Pressure



Flow



Temperature



Liquid
Analysis



Registration



Systems
Components



Services



Solutions

Technical Information

Soliswitch FTE31

Level Limit Switch

Economical paddle limit switch

For application in dust hazardous explosive areas



Application areas

The universal paddle level limit switch FTE 31 is used as a full, empty and demand alarm on silos containing solids. Its construction and materials make the unit suitable for use in the food industry.

The unit is suitable as a level limit switch in dust explosion hazardous areas.

Typical applications are level detection in:

- Cereals
- Sugar
- Cacao
- Animal feeds
- Washing powders
- Chalk
- Dry plaster
- Cement
- Granulates
- Wood chips

Features and benefits

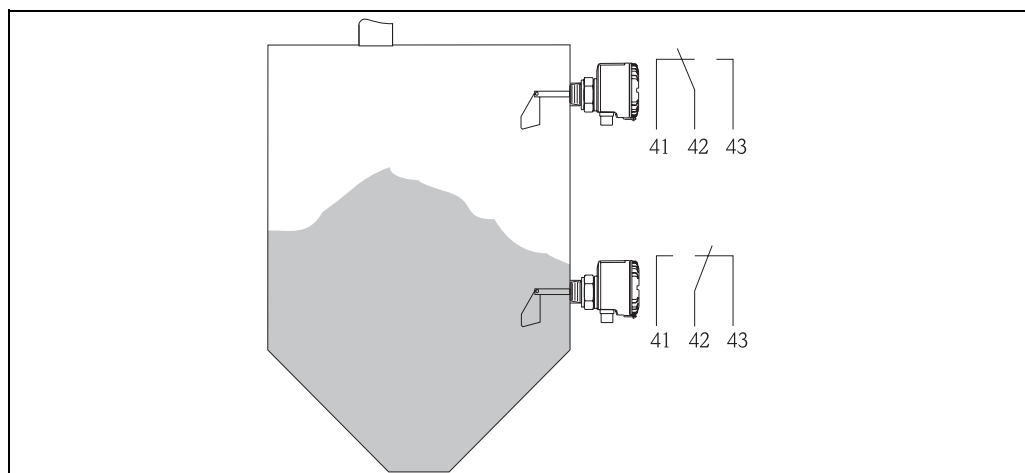
- Simple operation
- Proven principle
- Slip clutch
- Ingress protection to IP 65 / NEMA 4x / Type 4x

Function and system construction

Measurement principle

The shaft and paddle are driven using a reduction gear and synchronous motor. If the paddle is stopped by material covering it, the hinged motor in the housing moves from the rest to the switch position. This movement operates two switch contacts, the first is for external level indication and the second switches the power off to the motor.

The paddle starts to rotate once the medium level falls below the paddle, the hinged motor returns to its rest position and the two contacts switch to normal operation. Intermittent loads that operate against or even in the same direction of rotation are evened out by using a slip clutch.



R09-FTE31XZZ-15-00-xx-xx001

Level measurement changeover contact

System

Complete level measurement limit switch, paddle, shaft with synchronous motor and slip clutch, single pole double throw switch.

Input values

Measurement value

Level of solids

Range

Variable types dependent on:

- Installation point
- Length of shaft or rope

Output values

Output signal

Binary, once the set level is reached the micro switch contact changes.

Output circuit

Connectable load:
 ≤ 250 VAC, 10 A nominal current, 3 A on motor

Switch output

Potential free changeover contact (SPDT)

Switch delay

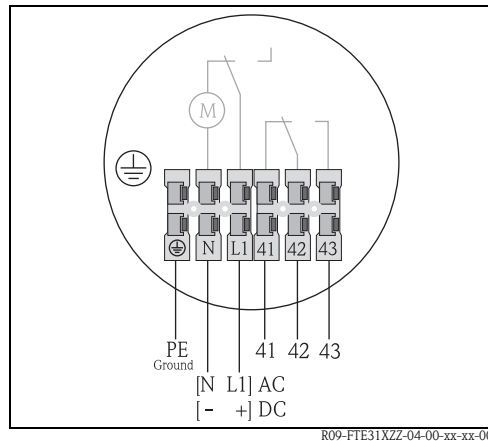
Approx. 2 seconds

Mechanical life time

min. 500 000 switch cycles

Power supply

Electrical connection



Terminal layout FTE31

AC	DC	
PE		Earth (ground) connection
N	-	Power connection
L	+	Power connection
41		Normally closed contact
42		Common contact
43		Normally open contact

Cable entry

Power supply and signal cable (in-/output):
 ■ Thread for cable gland [½" NPT]

Power supply

Standard:
 ■ 230 V AC, 50/60 Hz (±10%)

Option:
 ■ 115 V AC, 50/60 Hz (±10%)
 ■ 20...28 V DC

Power consumption

AC: $P < 4,5 \text{ VA}$; DC: $P < 3,5 \text{ W}$

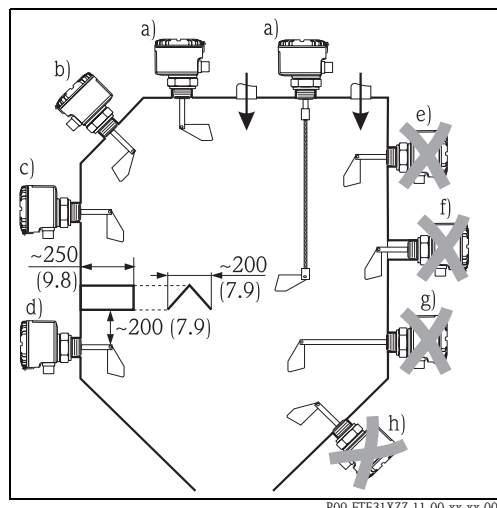
Current requirement

DC: $I_{\text{max}} \leq 66 \text{ mA}$

Installation conditions

Installation hints

Installation position:
 ■ horizontal up to shaft length > 300 mm (11.8") or vertical (see diagram)
 ■ side load on the shaft max. 60 N
 ■ Load on the rope max. 1500 N



Installation of the FTE31 paddle level limit switch, dimensions in mm (inch).

Correct installation	Incorrect installation
a) Vertical from top of silo	e) In direction of solids flow
b) Angled from the top	f) Installation coupling too long
c) From the side	g) Horizontal with shaft length > 300 mm
d) With protective cover against falling solids	h) Angled from below

The FTE31 paddle limit switch can be installed in solids silos as shown under points a, b, c and d.

Environment conditions

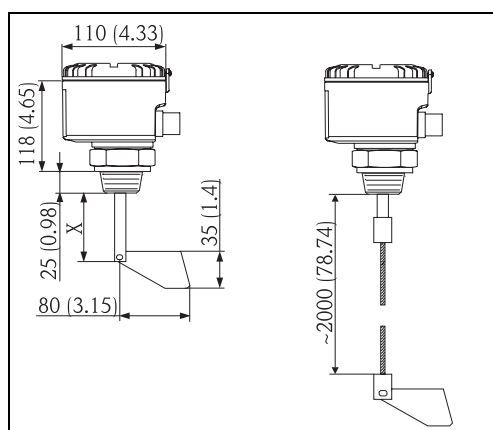
Ambient temperature	- 20 °C ... + 60 °C (-4 °F ... + 140 °F)
Storage temperature	- 20 °C ... + 60 °C (-4 °F ... + 140 °F)
Ingress protection	<ul style="list-style-type: none"> ■ IP 65 / NEMA 4x / Type 4x with closed cover ■ IP 20 / NEMA 1 with open cover
Vibration protection	IEC 654-3, dimension V.S.1 ($v < 3$ mm/s, $1 < f < 150$ Hz)
EMC	To EN 61 326, Class B
Protection class	I
Over voltage protection category	II
Altitude	Up to 2000 m (6560 ft) above sea level.

Process conditions

Material temperature range	- 20 °C ... + 80 °C (-4 °F ... 176 °F)
Operating pressure range	0.5 bar ... 1.8 bar (7.25 PSI ... 26.1 PSI)
Material conditions	Solids - grain size ≤ 50 mm (1.97")
Product density (solids weight)	100 g/l

Mechanical construction

Model/dimensions



Construction of the compact unit - dimensions in mm (inch).

Shaft variations:

Standard shaft $X = 75$ mm (2.95")
 Special length X :
 100 mm (3.94"), 200 mm (7.87"), 300 mm (11.8"),
 400 mm (15.75"), 500 mm (19.7"), 600 mm (23.6")

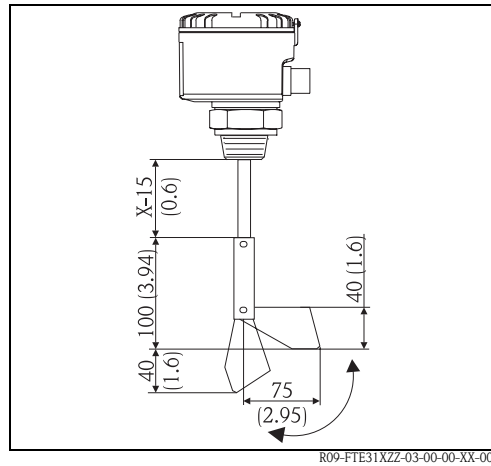
Rope version:

Rope length approx. 2000 mm (78.7"),
 can be shortened.



Caution!

If the shaft length is > 300 mm (11.8") the FTE31 can only be installed vertically downwards.



Hinged paddle - dimensions in mm (inch)

Option hinged paddle:

The paddle is hinged so that it can be easily mounted through a threaded mounting boss. Because it is spring loaded the paddle returns to its normal operation once inside the vessel. Removal of the unit is always possible.

The hinged paddle can be mounted to both the solid shaft as well as the rope extension versions.

Weight	approx. 1 kg (2.2 lb)
Materials	<p>Housing, cover and process connection:</p> <ul style="list-style-type: none"> - VALOX 553 plastic with 30% fibre glass. <p>Shaft:</p> <ul style="list-style-type: none"> - Corrosion resistant steel 1.4435 <p>Paddle:</p> <ul style="list-style-type: none"> - Corrosion resistant steel 1.4435 <p>Option:</p> <ul style="list-style-type: none"> - Process connection - corrosion resistant steel 1.4435 - Rope extension- corrosion resistant 1.4571 with corrosion resistant steel 1.4305 weight - Hinged paddle - corrosion resistant steel 1.4435 <p>O-ring seal:</p> <ul style="list-style-type: none"> - NBR <p>Shaft sealing ring:</p> <ul style="list-style-type: none"> - NBR Perbunan <p>Cable entries NPT 1/2":</p> <ul style="list-style-type: none"> - Nickel plated brass
Shaft bearing	High performance friction bearing - maintenance free
Shaft revolution	approx. 1 revolution per minute
Process connection	Threaded boss - thread NPT 1 1/4" or NPT 1 1/2"
Electrical connection	Plug-in terminals 2.5 mm ² (14 AWG) solid core, 1.5 mm ² (16 AWG) stranded with ferrule

Certification

CE approval	The measurement system fulfils the requirements demanded by the EU regulations. Endress+Hauser acknowledges successful unit testing by adding the CE mark.
FM	DIP Class II, Div. 1+2, Groups E, F, G and Class III
CSA	DIP Class II, Div. 1+2, Groups E, F, G and Class III

Ordering information

Soliswitch FTE31, Thread NPT	
Approval:	
A	Non-hazardous area
B	FM DIP Cl. II, III, Div. 1, Gr. EFG
C	CSA DIP Cl. II, III, Div. 1, Gr. EFG
Power supply:	
1	230 V AC, relay 250 V AC, 100 mA-10 A
2	115 V AC, relay 250 V AC, 100 mA-10 A
3	24 V AC, relay 250 V AC, 100 mA-10 A
4	230 V AC, relay PLC 48 V DC, 10 mA-100 mA
5	115 V AC, relay PLC 48 V DC, 10 mA-100 mA
6	24 V AC, relay PLC 48 V DC, 10 mA-100 mA
Process connection:	
A	Thread NPT 1/4", Valox553 (PBT)
B	Thread NPT 1/4", 316L
C	Thread NPT 1/2", Valox553 (PBT)
D	Thread NPT 1/2", 316L
Version:	
A	Shaft 100 mm
B	Shaft 200 mm
C	Shaft 300 mm
D	Shaft 400 mm, vertical installation
E	Shaft 500 mm, vertical installation
F	Shaft 600 mm, vertical installation
Y	Other
1	Shaft 75 mm, compact
2	Rope 2 m, 316, shortable
Paddle; Additionla option:	
1	316Ti; basic version
2	316L; fold-away, w/o signal lamp
FTE31-	← Ordercode

This ordering information can give an overview about the available order options. The Endress +Hauser sales organization can provide detailed ordering information and information on the order code.

Accessories

Hinged paddle for retro-fitting
Order no. 50089768

Further documentation

Short form operating manual KA094R/09/a3

Instruments International

Endress+Hauser
 Instruments International AG
 Kaegenstrasse 2
 4153 Reinach
 Switzerland

Tel. +41 61 715 81 00
 Fax +41 61 715 25 00
 www.endress.com
 info@ii.endress.com

Endress+Hauser 

People for Process Automation